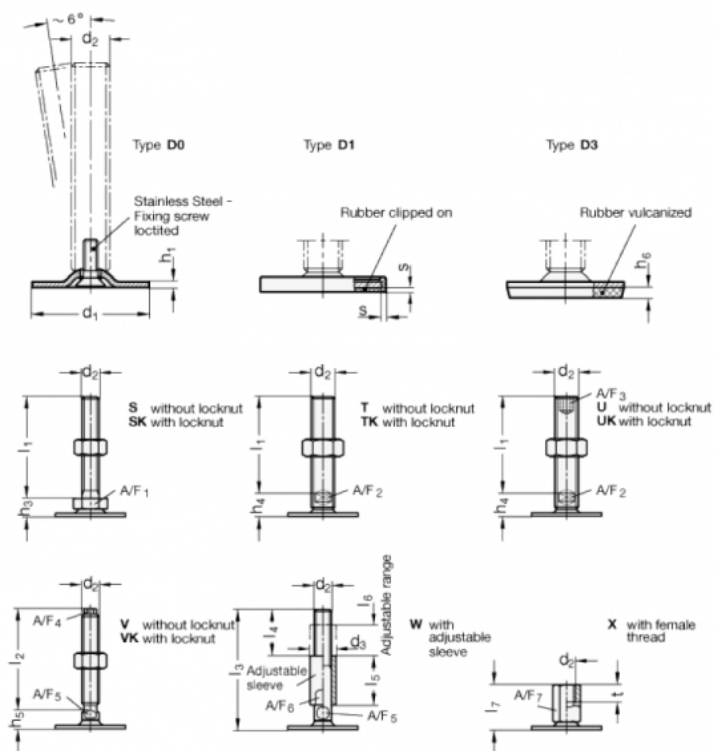


Article number: 204140M1028D3X
 Description: E+G levelling foot
 GN 41-40-M10-28-D3-X
 Note: X With female thread, External hexagon

Measures



- A/F7 = 14
- d1 = 40
- d2 = M10
- h1 = 2
- h6 = 3.5
- l7 = 28
- s =
- t = 10